

# LUDWIG

## Indicator light

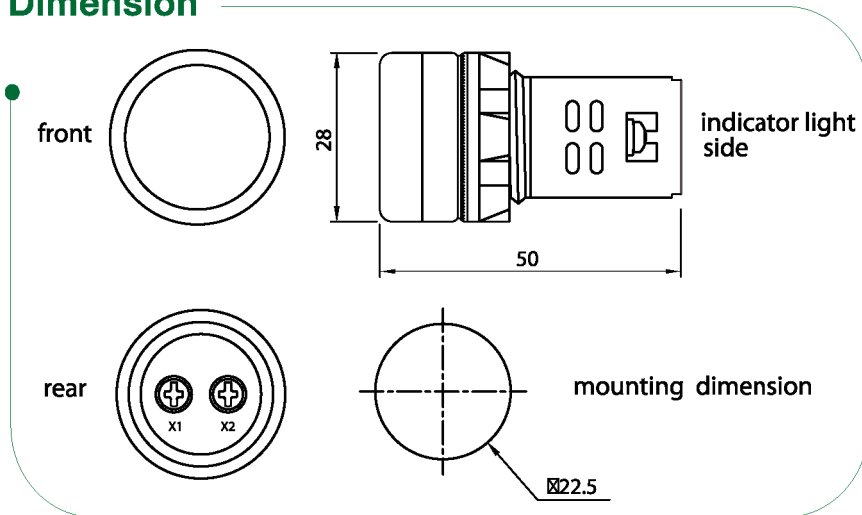
Indicator Light with lens and concentric ring



### Brief Introduction

Long lasting, low-energy consuming, bright shining are the main characteristics of LUDWIG Indicator Light in the **LUDWIG AD** Series : AD16-22DS

### Dimension



### Use

AD16 Series of indicators are used for indicating, signaling the status of the equipment on the control board.

### Technical Data

Standard Complied	IEC 947-5-1
Rated Insulation Voltage $U_i$	$U_i = 300$ v (Conforming to IEC 529)
Ambient Air Temperature Operation (°C)	-20...+60
Electric Shock Protection	Class II (Conforming to IEC 536)
Degree of Protection	IP 40 (Conforming to IEC 529)
Brightness	$\geq 60$ cd/m
Using Frequency	AC 50-60 Hz
Current Consumption	$\leq 20$ mA.

### Product : Indicator light

Description	Color	Identification No.
<b>24 VAC</b>	Red	AD16-22DS-24VAC-R
	Yellow	AD16-22DS-24VAC-Y
	Blue	AD16-22DS-24VAC-B
	Green	AD16-22DS-24VAC-G
	White	AD16-22DS-24VAC-W
	Clear	AD16-22DS-24VAC-C
<b>24VDC</b>	Red	AD16-22DS-24VDC-R
	Yellow	AD16-22DS-24VDC-Y
	Blue	AD16-22DS-24VDC-B
	Green	AD16-22DS-24VDC-G
	White	AD16-22DS-24VDC-W
	Clear	AD16-22DS-24VDC-C
<b>110VAC</b>	Red	AD16-22DS-110VAC-R
	Yellow	AD16-22DS-110VAC-Y
	Blue	AD16-22DS-110VAC-B
	Green	AD16-22DS-110VAC-G
	White	AD16-22DS-110VAC-W
	Clear	AD16-22DS-110VAC-C
<b>110VDC</b>	Red	AD16-22DS-110VDC-R
	Yellow	AD16-22DS-110VDC-Y
	Blue	AD16-22DS-110VDC-B
	Green	AD16-22DS-110VDC-G
	White	AD16-22DS-110VDC-W
	Clear	AD16-22DS-110VDC-C
<b>125VDC</b>	Red	AD16-22DS-125VDC-R
	Yellow	AD16-22DS-125VDC-Y
	Blue	AD16-22DS-125VDC-B
	Green	AD16-22DS-125VDC-G
	White	AD16-22DS-125VDC-W
	Clear	AD16-22DS-125VDC-C
<b>220VAC</b>	Red	AD16-22DS-220VAC-R
	Yellow	AD16-22DS-220VAC-Y
	Blue	AD16-22DS-220VAC-B
	Green	AD16-22DS-220VAC-G
	White	AD16-22DS-220VAC-W
	Clear	AD16-22DS-220VAC-C
<b>220VDC</b>	Red	AD16-22DS-220VDC-R
	Yellow	AD16-22DS-220VDC-Y
	Blue	AD16-22DS-220VDC-B
	Green	AD16-22DS-220VDC-G
	White	AD16-22DS-220VDC-W
	Clear	AD16-22DS-220VDC-C
<b>380VAC</b>	Red	AD16-22DS-380VAC-R
	Yellow	AD16-22DS-380VAC-Y
	Blue	AD16-22DS-380VAC-B
	Green	AD16-22DS-380VAC-G
	White	AD16-22DS-380VAC-W
	Clear	AD16-22DS-380VAC-C